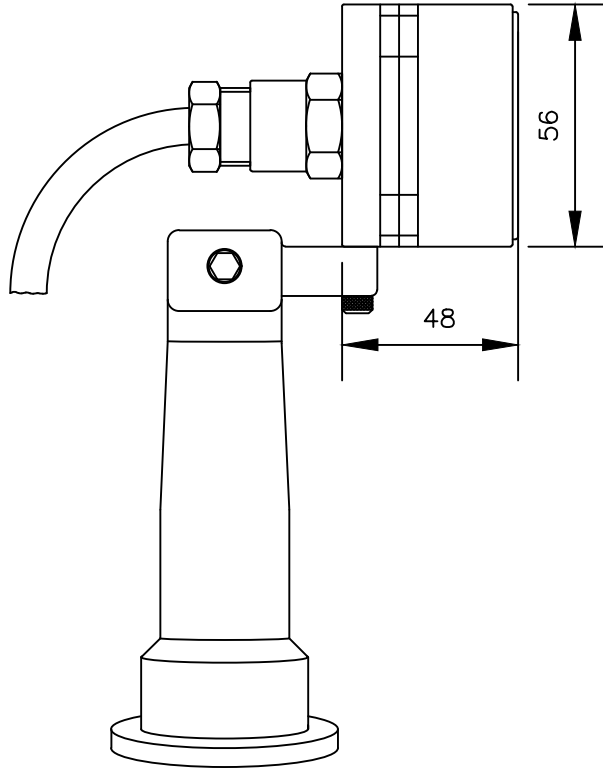


FRONT VIEW



SIDE VIEW

MODEL NO.	IRT - 330 - K
SENSING ANGLE	90°
RATED VOLTAGE	DC 24V ± 20% (19.2~28.8V)
MATERIAL	ANODIZED ALUMINUM
COLOR	BLACK
WEIGHT	140g (INCLUDING CABLE GLAND)
APPLICATION	INDUSTRY, POWER PLANT, CULTURAL PROPERTY, GYMNASIUM, TEMPLE, PERFORMANCE HALL, SHIP, GOVERNMENT OFFICE, HIGH-RISE BUILDING, MILITARY FACILITY, HANGAR, BARN AND ETC

NOTES

HI-MAX VIET NAM

THIET KE : HI-MAX VIET NAM

GIAM SAT : HI-MAX VIET NAM

FOR APPROVAL

REV.	DATE	DESCRIPTION	DESN.	DESN.	CHKD.	APPD.	APPD.
------	------	-------------	-------	-------	-------	-------	-------

Project Name

HI-MAX VIET NAM



HI-MAX VIET NAM CO., LTD



HI-MAX VIET NAM CO., LTD

Lo BSF, KCN Hiep Phuoc, Nha Be, Tp.HCM

Title

FLAME DETECTOR
(IRT-330-K)

Project No. Drawing Number Rev.

HI-MAX

Part Fire Alarm System Scale Microfilm No.