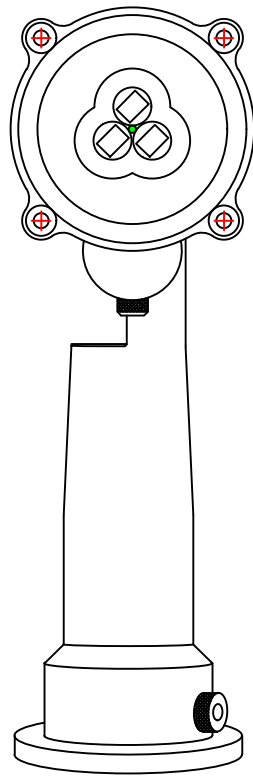
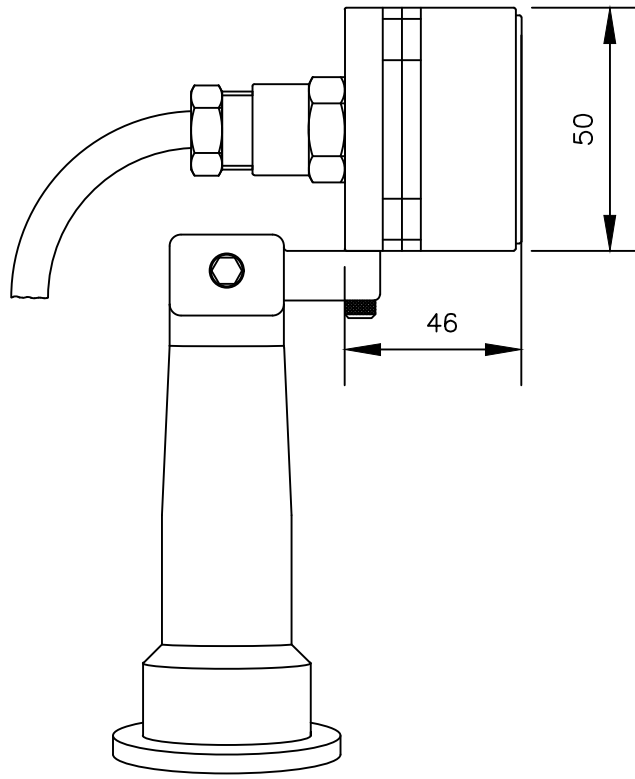


A
B
C
D
E
F



FRONT VIEW



SIDE VIEW

MODEL NO.	IRT - 021 - K
SENSING ANGLE	90°
RATED VOLTAGE	DC 24V ± 20% (19.2~28.8V)
MATERIAL	STAINLESS STEEL (SUS316L)
COLOR	SILVER WHITE
WEIGHT	650g (INCLUDING CABLE GLAND)
APPLICATION	INDUSTRY, POWER PLANT, CULTURAL PROPERTY, GYMNASIUM, TEMPLE, PERFORMANCE HALL, SHIP, GOVERNMENT OFFICE, HIGH-RISE BUILDING, MILITARY FACILITY, HANGAR, BARN AND ETC

NOTES

HI-MAX VIET NAM

THIET KE : HI-MAX VIET NAM

GIAM SAT : HI-MAX VIET NAM

FOR APPROVAL

REV	DATE	DESCRIPTION	DRWN	DESN	CHKD	APPD	APPD

Project Name
HI-MAX VIET NAM

 **HI-MAX VIET NAM CO., LTD**

 **HI-MAX VIET NAM CO., LTD**
Lo B5F, KCN Hiep Phuoc, Nha Be, Tp.HCM

Title
**FLAME DETECTOR (EXP)
(IRT-021-K)**

Project No.	Drawing Number	Rev.
HI-MAX		
Part Fire Alarm System	Scale	Microfilm No.