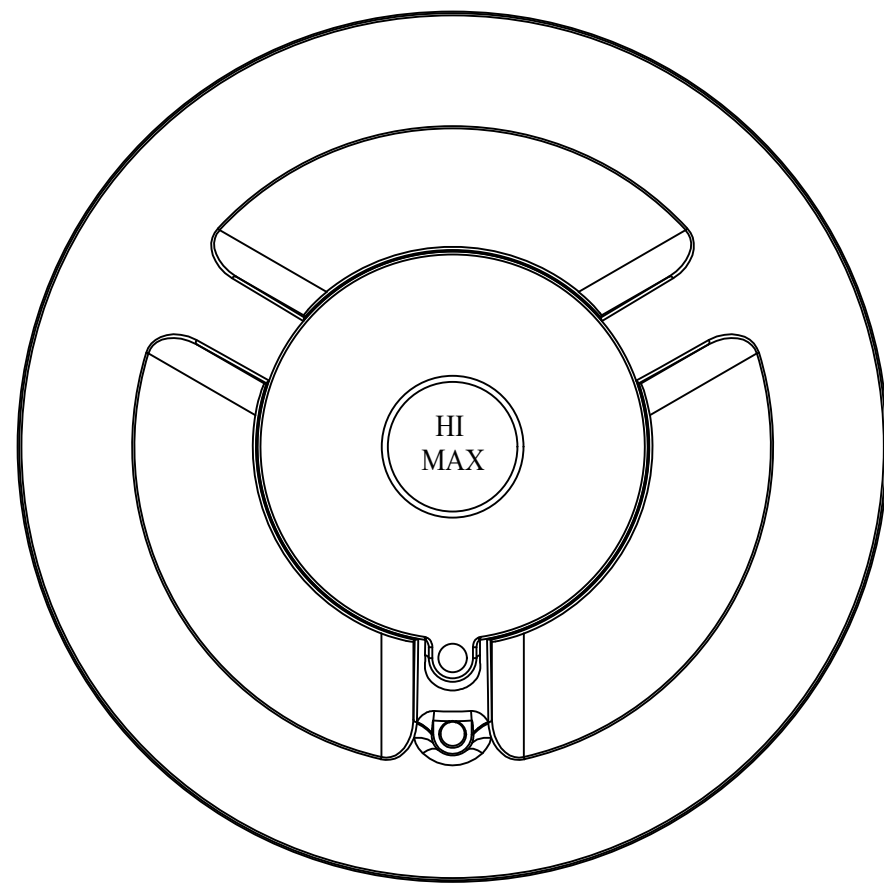


NOTES

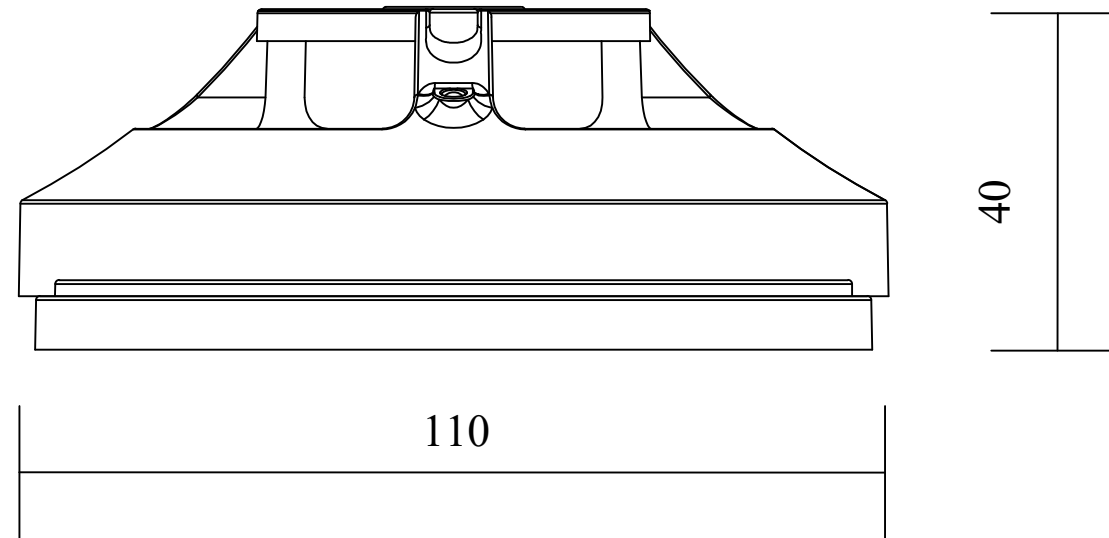
HI-MAX VIET NAM

THIET KE : HI-MAX VIET NAM

GIAM SAT : HI-MAX VIET NAM



FRONT VIEW



SIDE VIEW

MODEL NO.	HD1015
RATED VOLTAGE	DC 24V / 10mA
AMBIENT CONDITION	-10 °C TO 50 °C, 90%RH
OPERATING INDICATOR	LED-RED COLOR
SIZE / WEIGHT	φ110mm x H40mm
TYPICAL USAGE	MAX. 150EA/1LOOP
APPLICATION	OFFICE / BASEMENT / TERMINAL / WAREHOUSE / CHURCH / RESTAURANT

REV.	DATE	DESCRIPTION	DRWN	DESN	CHKD	APPD	APPD

Project Name
SAMIL PHARMACEUTICAL FACTORY



HI-MAX VIET NAM CO., LTD



HI-MAX VIET NAM CO., LTD
Lo B5F, KCN Hiep Phuoc, Nha Be, Tp. HCM

Title
ANALOG TYPE SMOKE DETECTOR (HD1015)

Project No.	Drawing Number	Rev.
	HM - 05	
Part Fire Alarm System	Scale —	Microfilm No.