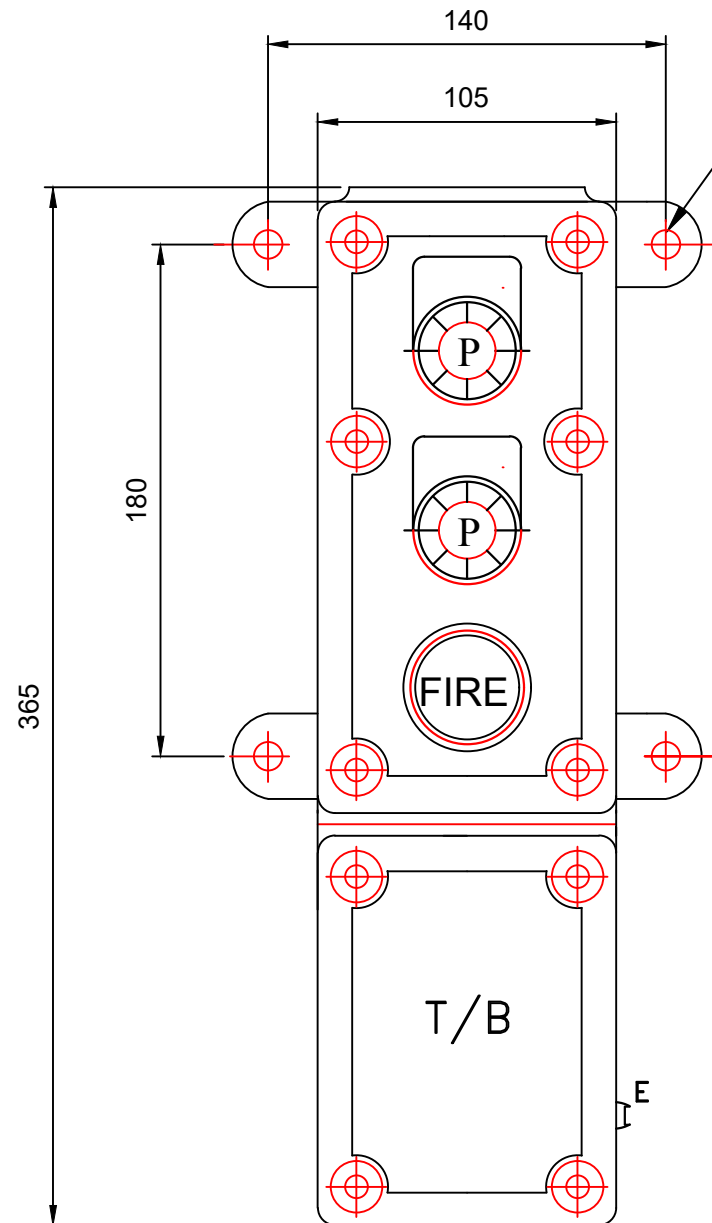


6. EX TYPE GAS MANUAL STATION \checkmark (\checkmark / \checkmark)



4-Ø10 Mtg Holes

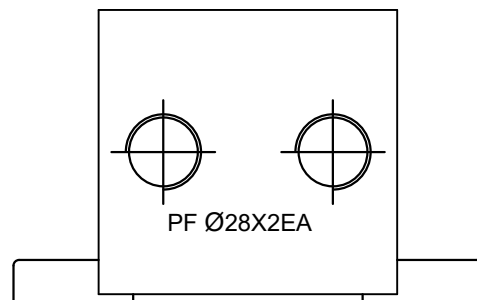
DC 24V 30Ø INDICATING (RED)

DC 24V 30Ø OPERATED (GREEN)

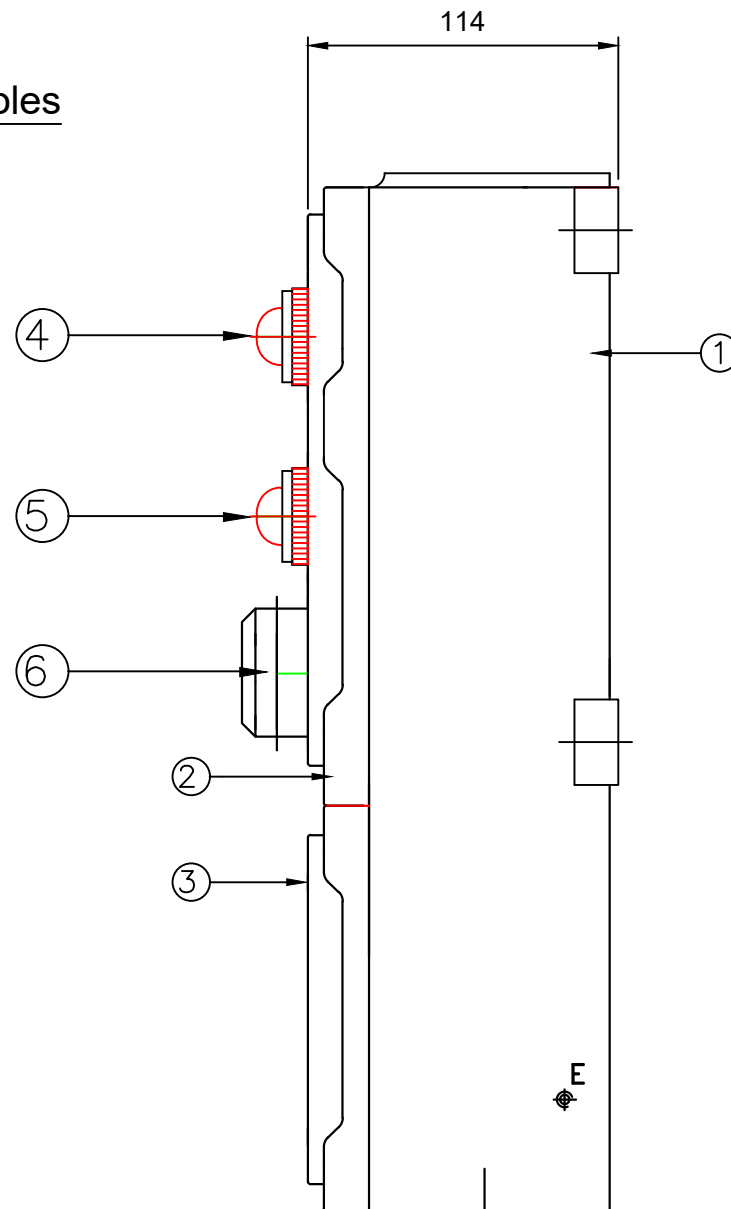
FIRE

T/B

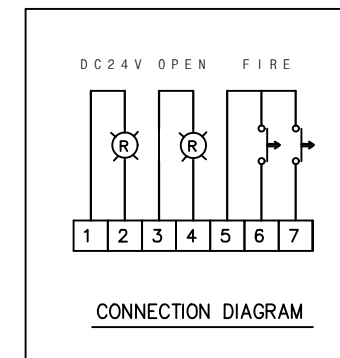
E



PF Ø28X2EA



Ø28X2EA



CONNECTION DIAGRAM

NO	DESCRIPTION	MATERIALS	REMARK
1	BODY	CAST ALUMINIUM ALLOY	
2	BOX COVER	DIE CAST ALUMINIUM	
3	TERMINAL BOX COVER	DIE CAST ALUMINIUM	
4	PILOT LAMP (LED)	표시램프 (RED)	DC24V
5	PILOT LAMP (LED)	기동램프 OPERATED	DC24V
6	PUSH BUTTON SWITCH	화재시 강하게 누르시오	비상스위치

NOTES

HIMAX VIET NAM

THIET KE : HI-MAX VIET NAM

GIAM SAT : HI-MAX VIET NAM

FOR APPROVAL

REV.	DATE	DESCRIPTION	DRWN	DESN	CHKD	APPD	APPD

Project Name
HI-MAX VIET NAM

HI-MAX VIET NAM CO., LTD

HI-MAX VIET NAM CO., LTD
Lo B5F, KCN Hiep Phuoc, Nha Be, Tp. HCM

Title
EX TYPE GAS MANUAL STATION

Project No.	Model	Rev.
HI-MAX	FMS	
Part Fire Alarm System	Scale -	Microfilm No.