

DWG NO. -

Beam Fireray one

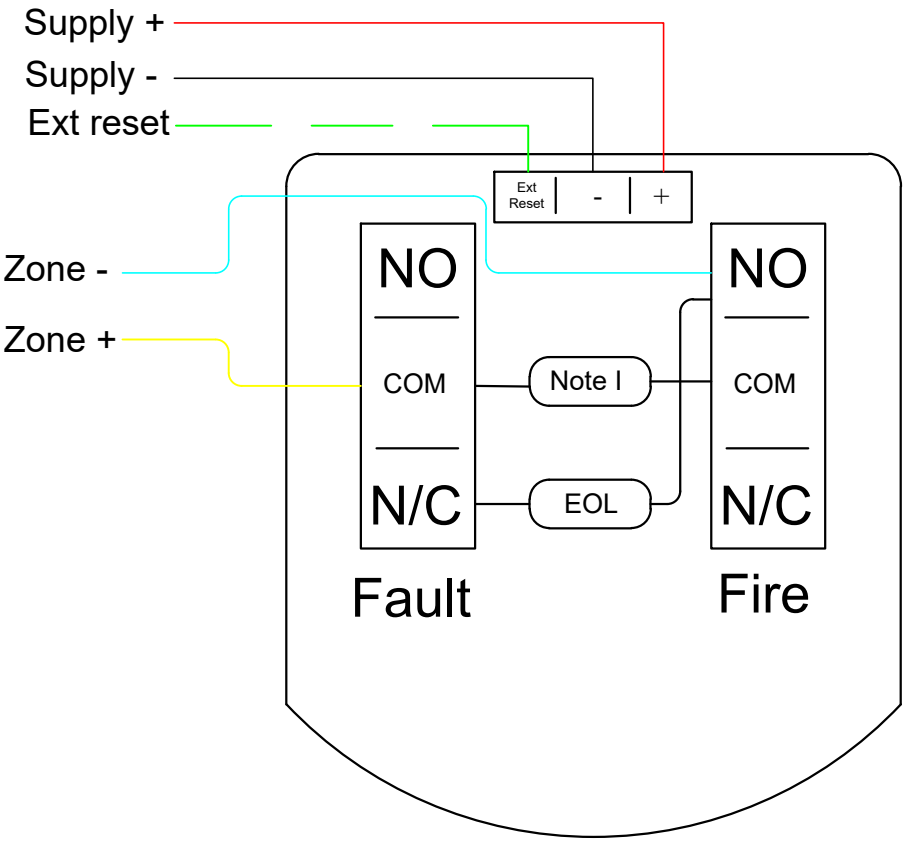
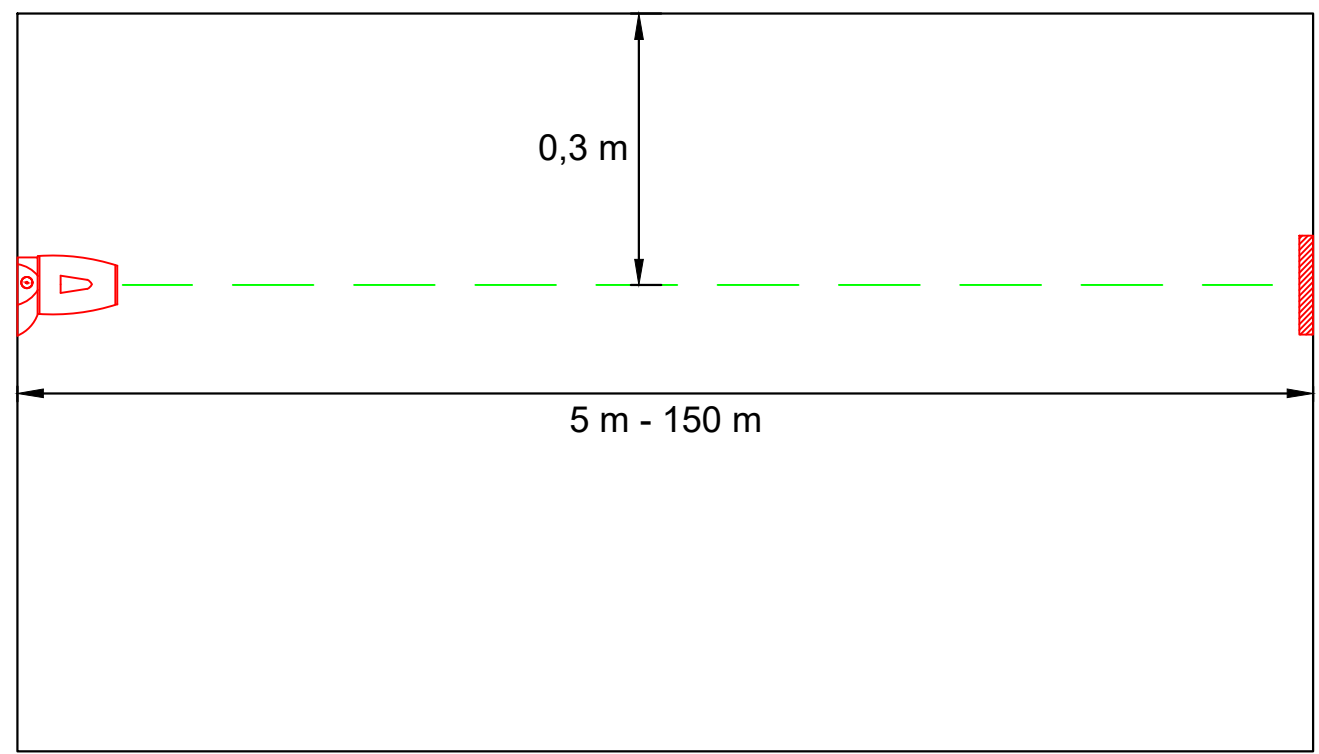
1 2 3 4

- 1 — DC 24V
- 2 — DC 24V
- 3 — Zone +
- 4 — Zone -

Module

3 4

Tủ trung tâm HIP 600W





NOTES

HIMAX VIET NAM

THIET KE : HI-MAX VIET NAM

GIAM SAT : HI-MAX VIET NAM

FOR APPROVAL

REV.	DATE	DESCRIPTION	DRWN	DESN	CHKD	APPD	APPD
Project Name							
HSVN PP-4 PROJECT							
 HI-MAX VIETNAM CO., LTD							
 HI-MAX VIETNAM CO., LTD Lo B5F, KCN Hiep Phuoc, Nha Be, Tp. HCM							
Title							
FIRERAY ONE							
Project No.		Drawing Number			Rev.		
		HM - 08 - 01					
Part		Scale		Microfilm No.			
Fire Alarm System		-					