

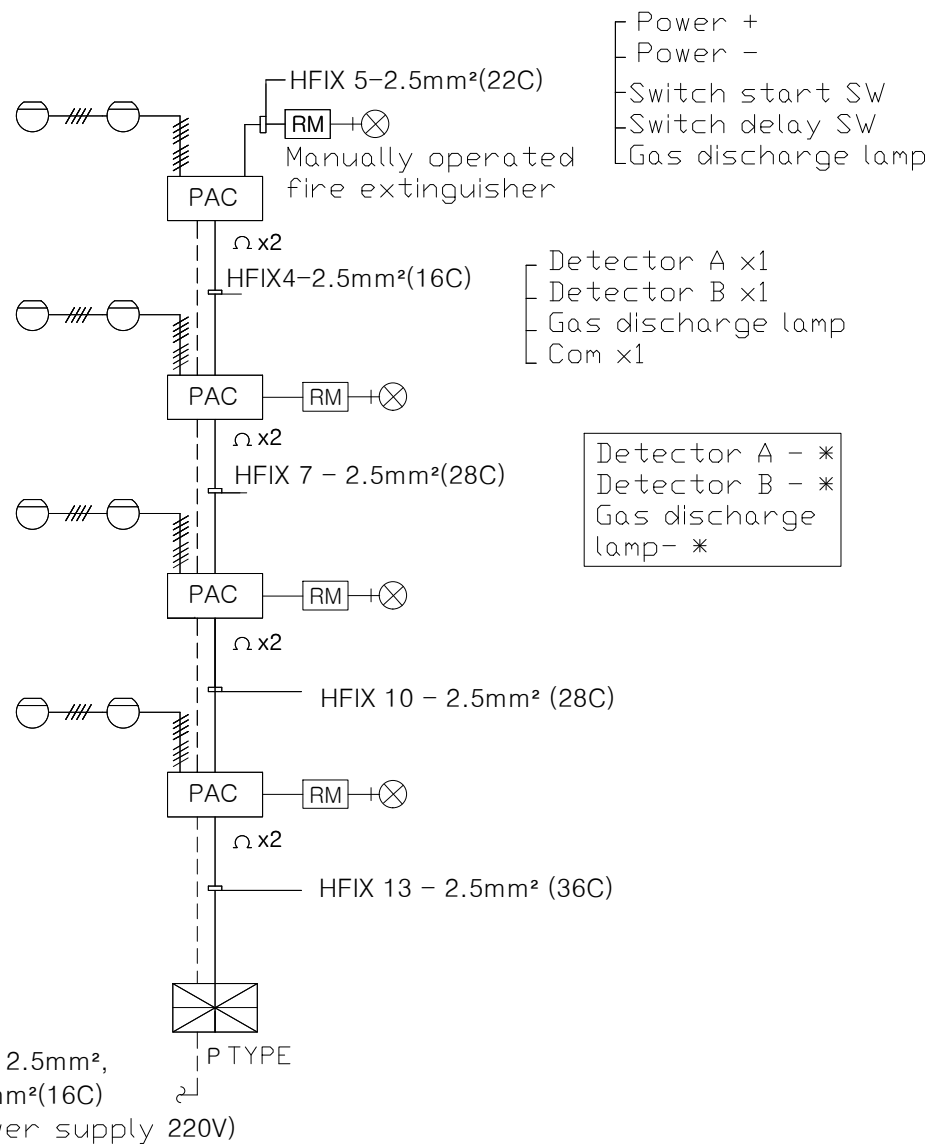
NOTES

HIMAX VIET NAM

THIET KE : HI-MAX VIET NAM

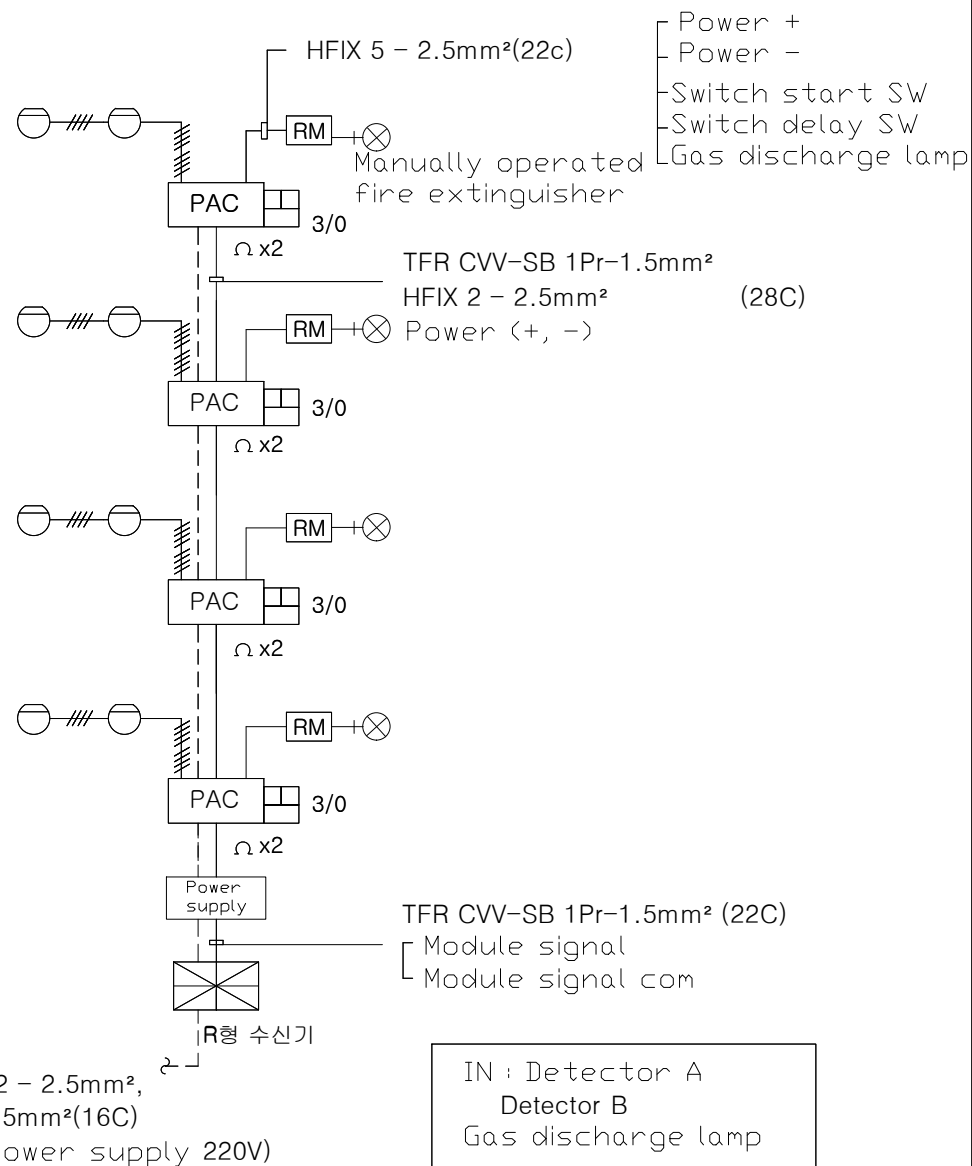
GIAM SAT : HI-MAX VIET NAM

Fire extinguishing system (Package type) - P type



NOTE 1. * indicates increase in addition of one zone.
 2. AC power supply line construction is strong construction.

Fire extinguishing system (Package type) - R type



NOTE 1. AC power supply line construction is strong construction.

FOR APPROVAL

REV.	DATE	DESCRIPTION	DRWN	DESN	CHKD	APPD	APPD

Project Name
HI-MAX VIET NAM

 **HI-MAX VIET NAM CO., LTD**

 **HI-MAX VIET NAM CO., LTD**
 Lo B5F, KCN Hiep Phuoc, Nha Be, Tp. HCM

Title
**D.W CONNECT PACKAGE
 P-TYPE & R-TYPE**

Project No.	Drawing Number	Rev.
	HM -	
Part Fire Alarm System	Scale -	Microfilm No.