

DWG NO.

-

2

3

4

5

6

7

8

NOTES

HIMAX VIET NAM

THIET KE : HI-MAX VIET NAM

GIAM SAT : HI-MAX VIET NAM

FOR APPROVAL

REV.	DATE	DESCRIPTION	DRWN	DSN	CHKD	APPD	APPD

Project Name

HI-MAX VIET NAM



HI-MAX VIET NAM CO., LTD



HI-MAX VIET NAM CO., LTD

Lo B5F, KCN Hiep Phuoc, Nha Be, Tp. HCM

Title

D.W R TYPE FIRE ALARM SYSTEM

Project No. Drawing Number Rev.

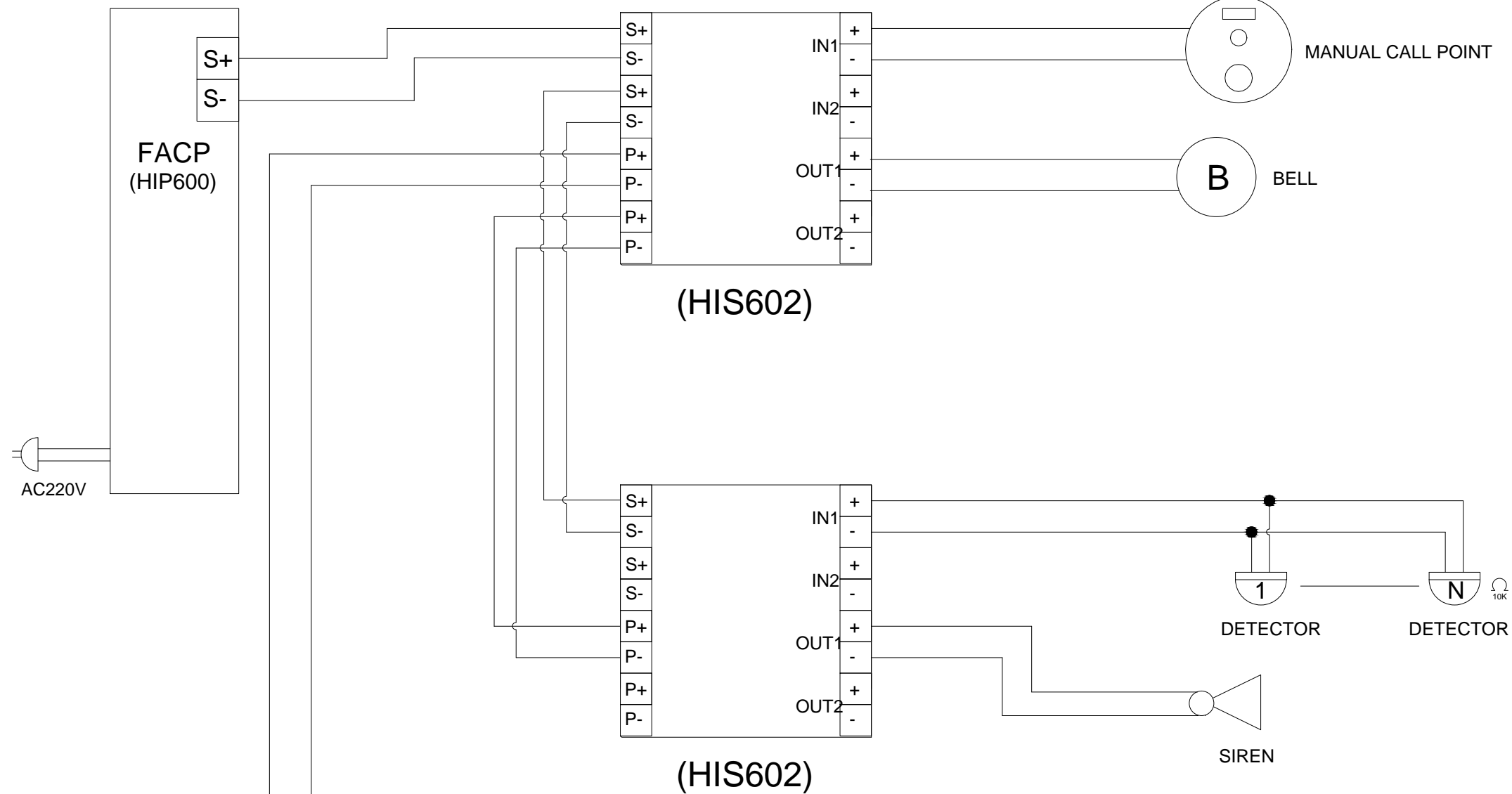
HI-MAX

HM -

Part Fire Alarm System

Scale -

Microfilm No.



AC220V

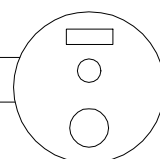
FACP (HIP600)

S+
S-

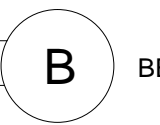
S+
S-
S+
S-
P+
P-
P+
P-

(HIS602)

IN1 +
IN1 -
IN2 +
IN2 -
OUT1 +
OUT1 -
OUT2 +
OUT2 -



MANUAL CALL POINT

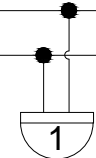


B BELL

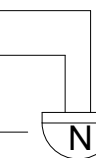
S+
S-
S+
S-
P+
P-
P+
P-

(HIS602)

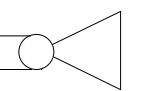
IN1 +
IN1 -
IN2 +
IN2 -
OUT1 +
OUT1 -
OUT2 +
OUT2 -



1 DETECTOR



N DETECTOR 10K



SIREN

AC220V

POWER SUPPLY (HR6023)

+ -

1

2

3

4

5

6

7

8