

DWG NO.

-

2

3

4

5

6

7

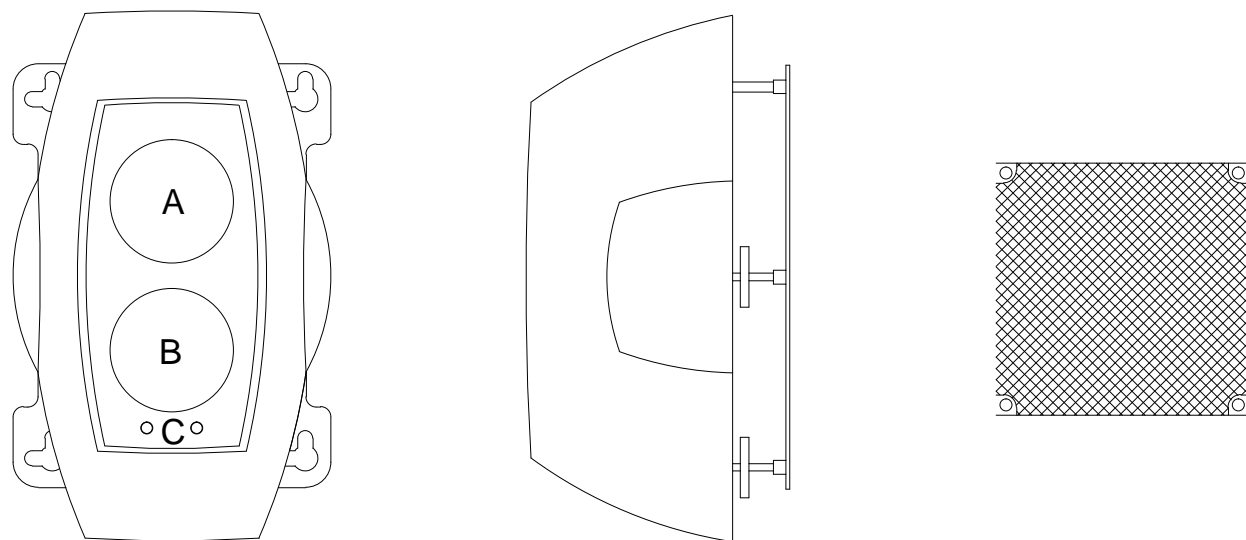
8

NOTES

HIMAX VIET NAM

THIET KE : HI-MAX VIET NAM

GIAM SAT : HI-MAX VIET NAM



MODEL NO.	HD1012
CLASS	1 ST CLASS
COMPONENT	OPTICAL BEAM SMOKE DETECTOR / REFLECTOR
INSTALLATION HEIGHT	UNDER 20m
TYPE OPPOVAL	KOREA FIRE INDUSTRY TECHNOLOGY INSTITUTE
AMBIENT CONDITION	-10°C~ 50°C, MAX. 95% RH
RATED VOLTAGE	DC 24V
TYPE	ORDINARY, NON-ACCUMULATION, NON-MALE
RANGE OF DETECT	MAX: 100M (DISTANCE DETECTOR TO REFLECTOR) / W15M =1.500M2
SIZE/WEIGHT	W210mm x H260mm x D80mm
INSPECTION DEPARTMENT	KOREA FIRE INDUSTRY TECHNOLOGY INSTITUTE
APPLICATION	FACTORY / THE PLACE WITH WIDE AREA / PLACES FOYER / WAREHOUSING

FOR APPROVAL

REV.	DATE	DESCRIPTION	DRWN	DESN	CHKD	APPD	APPD

Project Name
HI-MAX VIET NAM

 **HI-MAX VIET NAM CO., LTD**

 **HI-MAX VIET NAM CO., LTD**
Lo B5F, KCN Hiep Phuoc, Nha Be, Tp. HCM

Title
OPTICAL BEAM SMOKE DETECTOR

Project No.	Drawing Number	Rev.
	HM - 07	
Part Fire Alarm System	Scale -	Microfilm No.