

DWG NO.

-

2

3

4

5

6

7

8

NOTES

HIMAX VIET NAM

THIET KE : HI-MAX VIET NAM

GIAM SAT : HI-MAX VIET NAM

FOR APPROVAL

REV.	DATE	DESCRIPTION	DRWN	DESN	CHKD	APPD	APPD

Project Name

HI-MAX VIET NAM



HI-MAX VIET NAM



HI-MAX VIET NAM

Lo BSF, KCN Hiệp Phước, Nhà Bè, Tp. HCM

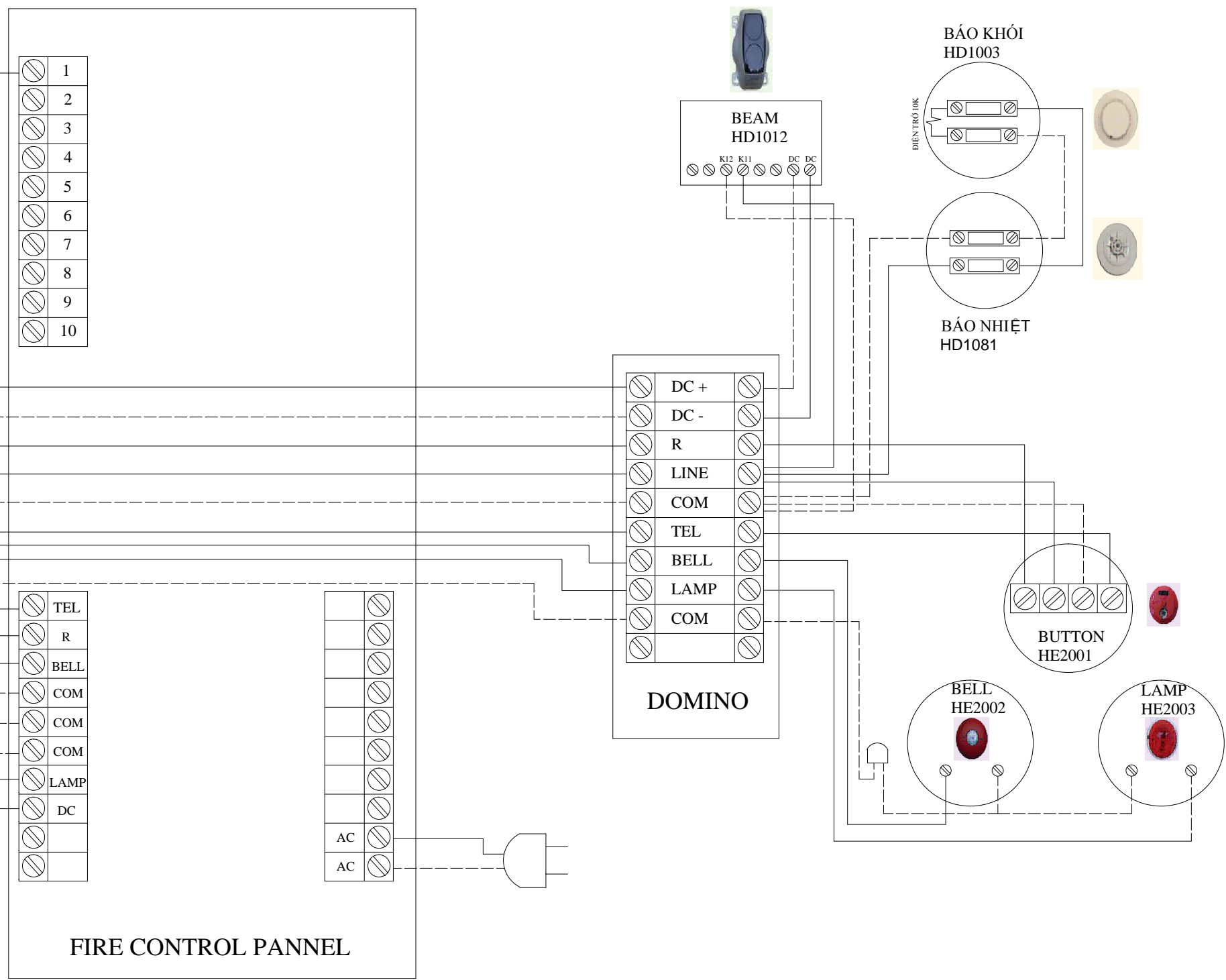
Title

W.D P-TYPE CONTROL PANEL

Project No. Drawing Number Rev.

HI-MAX HM - 5020

Part Fire Alarm System Scale - Microfilm No.



**HƯỚNG DẪN ĐẦU NỐI TỬ TRUNG TÂM P - TYPE
5 ZONE - 10 ZONE. MODEL : HP5020**